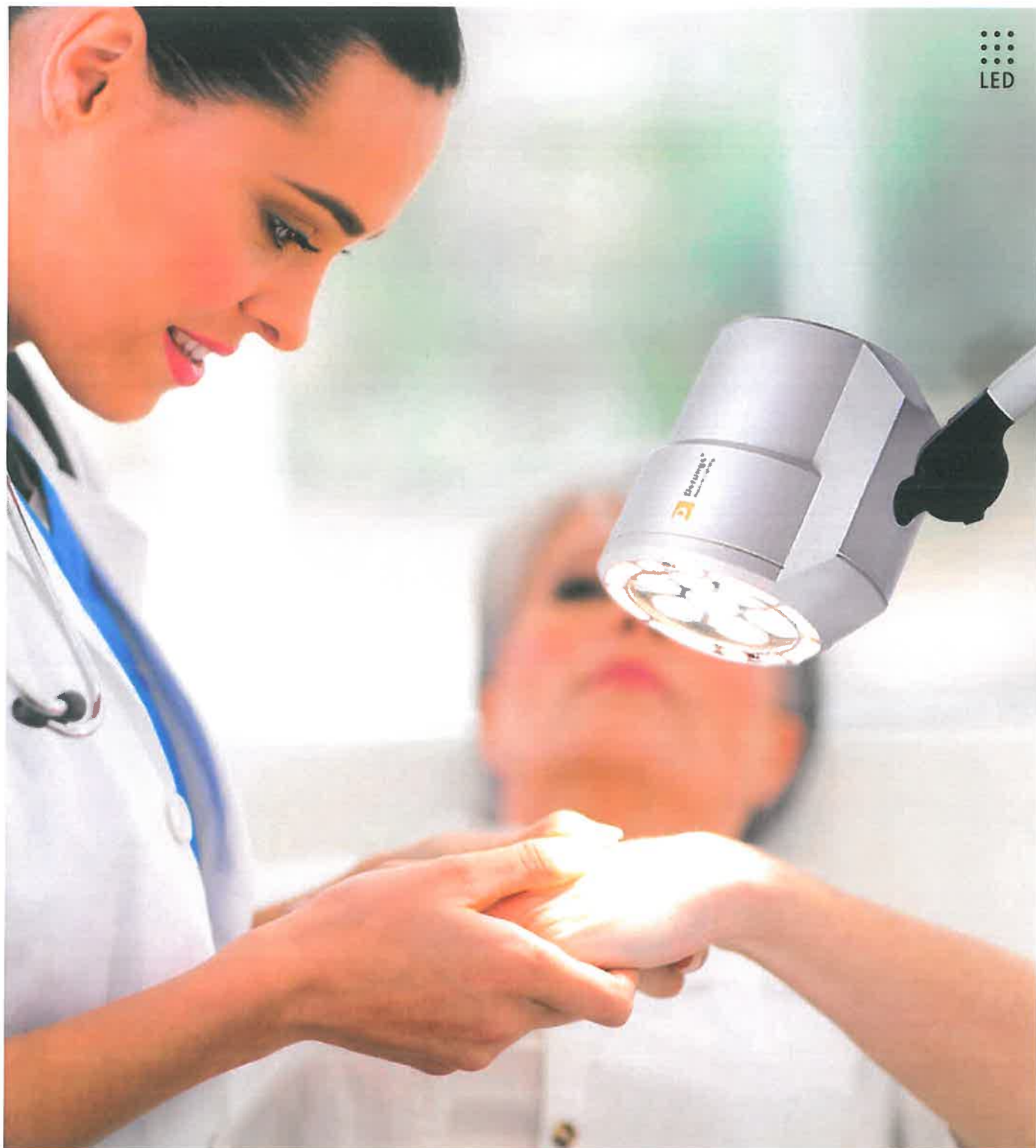




De Marco srl  
20133 Milano  
Via Tajani, 9  
Tel. 02719065  
Fax 02733109

**Derungs**   
MEDICAL LIGHTING

D<sup>med</sup>® **halux** LED  
EXAMINATION LIGHT



## Dmed® halux LED EXAMINATION LIGHT

Often, in examination rooms only a general lighting is used. An additional examination light (mounted on the mobile stand or directly at the examination table) ultimately achieves the required brightness (illuminance) and assists with the diagnosis.

### SMALL - COMPACT - CLASSIC

#### Examination light in top quality

The a well-lit illumination field is generated by 7 powerful LEDs (about 40,000 lux at 0.5 meter). The light is considerably more pleasant to the eye and an absolutely true-color light is available in a diameter: 170 mm.

#### Very good color rendering

By an excellent color rendering index of Ra > 93 characters of the skin (surface and deep structure) are easily visible. This means better detail recognition of the finest nuances of color in tissue for the physician. The illuminated area appears natural and contrasted.

#### Light color and dimming in 3 steps (only halux 20-3)

By color mixing of different LEDs an excellent innovation in the field of investigation is achieved. Depending on the examination the light color (color temperature in Kelvin) can be changed. The user thus has the possibility -depending on the skin, tissue or wound- to select the optimal inspection light. The light control is a simple, clear control unit directly at the lamp head. Here also the illuminance could be selected individually by 5 dimming levels.

The three color levels

**3300 K** (warm white) Ideal for various types of skin tests

**3800 K** (neutral white) Ideal for general examinations

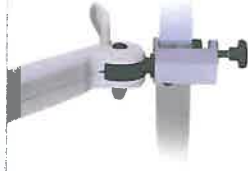
**4400 K** (cool white) Ideal for recognition of individual veins or for wound treatment and minor procedures



**Spring-balanced arm system**  
For stepless positioning



**LED:**  
40.000 lux / 0.5 m  
One hand positioning



**16 mm spigot:**  
For adaptation to rail systems, mobile stand, wall bracket



**Integrated converter:**  
Power conversion safely and ergonomically



The benefits of the halux LED are obvious: more comfort and ergonomics due to individually selectable light trap device and highly flexible adjustability.

Applications shown:

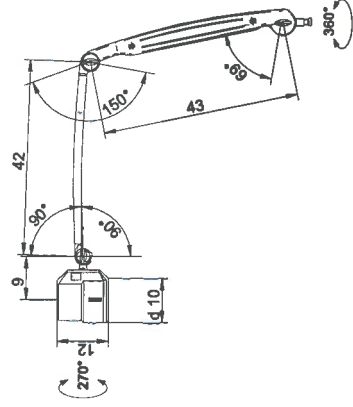
- Neonatology
- General examinations



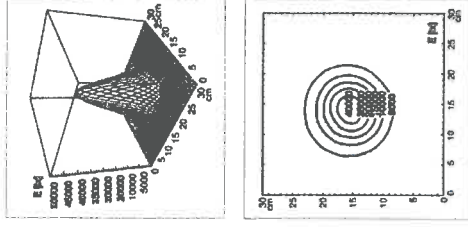
# TECHNICAL DATA

## Dimedio® halux LED

Technical Drawing 20-3 P FX / 20-1 P FX

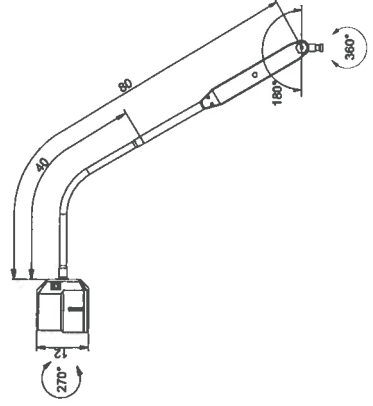


Light Distribution

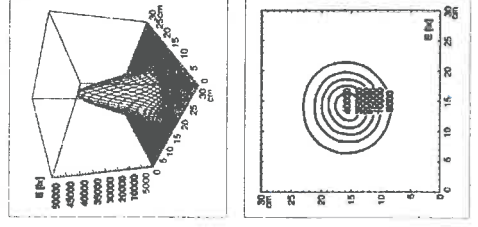


Illumination data -10% / +20% tolerance

Technical Drawing 20-3 P SX / 20-1 P SX

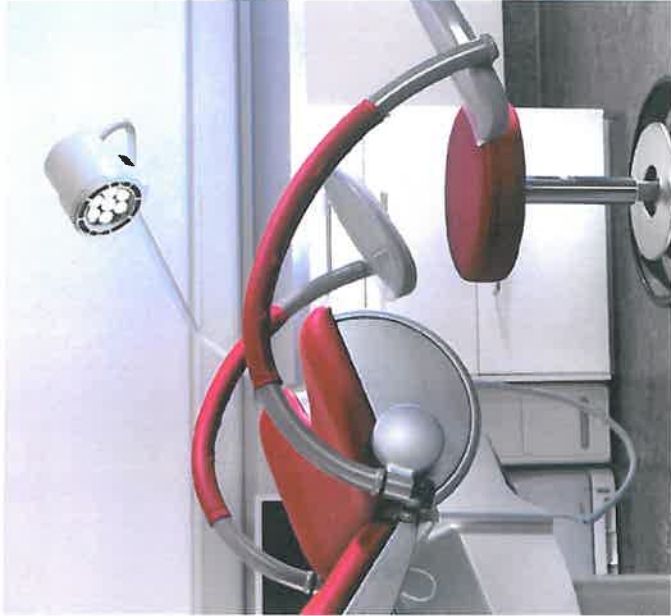


Light Distribution



Illumination data -10% / +20% tolerance





The halux LED light is a loyal partner ideal for medical examinations. Unobtrusive, classic shape and proven in the application.

Applications shown:

- Gynaecology
- Dermatology
- Intensive Care



## ORDER NUMBER

D<sup>imed</sup> halux LED 20-3 with colour change, dimming (3350 K, 3800 K, 4150 K)

D<sup>imed</sup> halux LED 20-3 P FX

D<sup>imed</sup> halux LED 20-3 P SX

Note: Control panel on luminaire head.

D<sup>imed</sup> halux LED 20-1 without colour change, without dimming (4300 K)

D<sup>imed</sup> halux LED 20-1 P FX

D<sup>imed</sup> halux LED 20-1 P SX

Note: ON/OFF switch on luminaire arm.

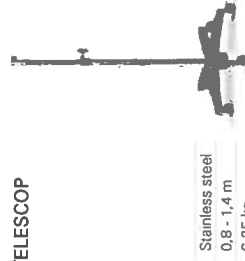
## ACCESSOIRES

### EXTENSION ARM



MATERIAL Powder coated tubular steel  
 DIMENSIONS 400 mm, Ø 16 mm  
 WEIGHT (NET) ca. 0,65 kg  
 FOR PIN Ø 16 mm-Q with removal guard  
 LOAD CAPACITY 2,5 kg

### ROLLER STAND R TELESCOPE



MATERIAL Stainless steel  
 DIMENSIONS 0,8 - 1,4 m  
 WEIGHT (NET) 6,25 kg  
 FOR PIN Ø 16 mm-Q mit removal guard

### RAIL MOUNT



MATERIAL Aluminium  
 EQUIPMENT RAIL 25-35 x 8-10 mm

### WALL MOUNT



MATERIAL Polyamide GF